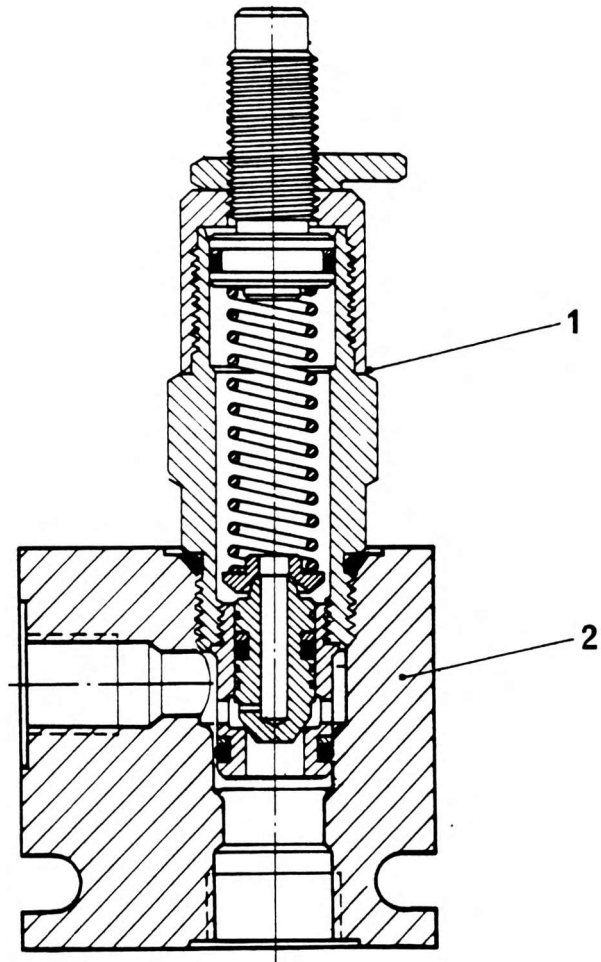


RELIEF VALVE



NO.	PART NO.	QTY.	DESCRIPTION	NO.	PART NO.	QTY.	DESCRIPTION
-	7-926-990395	1	Valve Complete				
-	9-926-107105	1	Seal Kit (For Cartridge)				
1	9-926-107104	1	Cartridge				
2	N/S	1	Housing				

N/S - Not Serviced

7-926-990395
Issue No. 00